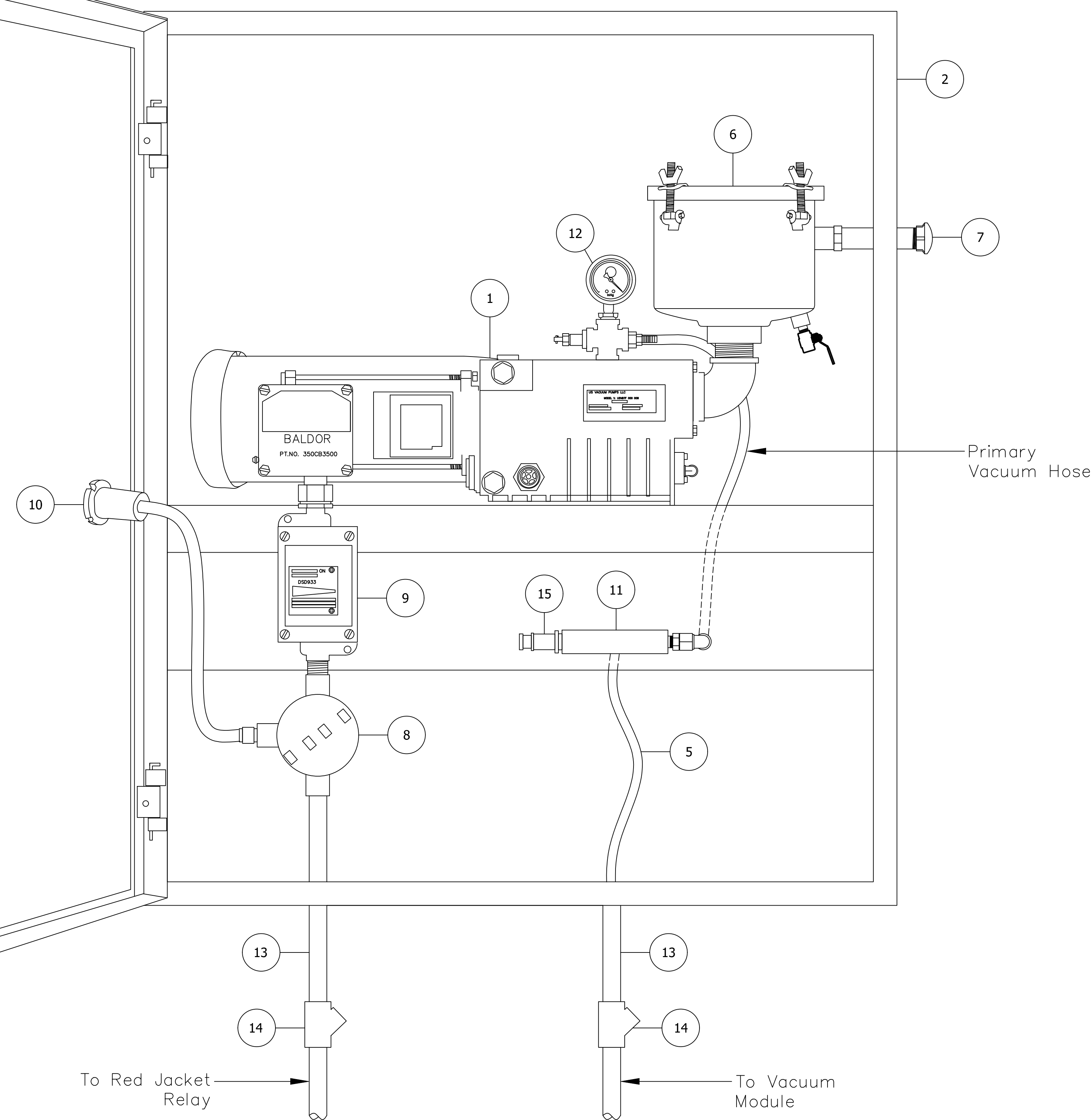
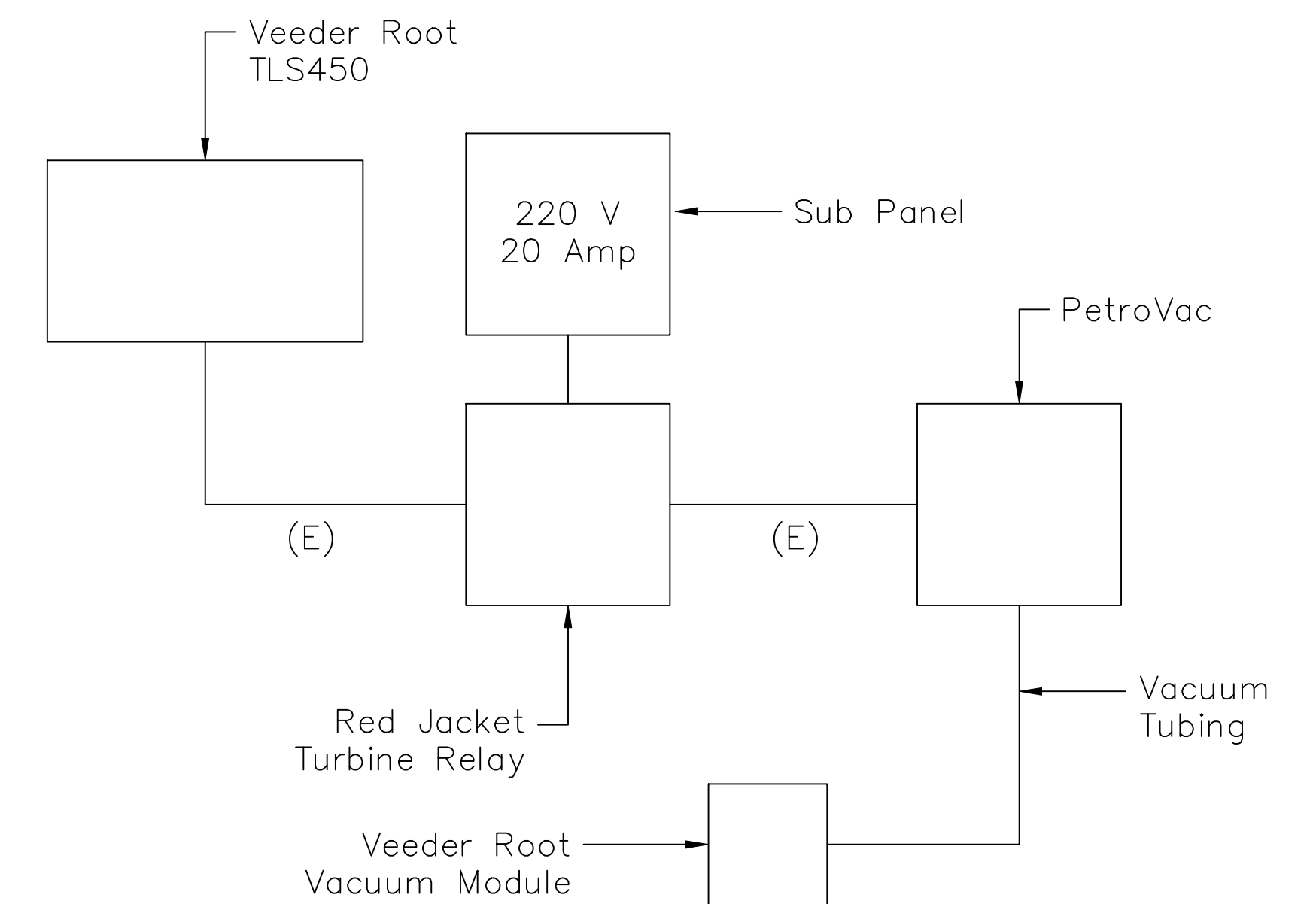


PETROVAC-VACUUM PUMP SYSTEM



LEGEND

1. PetroVac Positive Displacement Vacuum Pump & Motor
2. UL Cabinet
3. Red Jacket Pump Control Box (Supplied by Contractor/Not Shown)
4. Veeder-Root TLS-450Plus Console With SCLD Module (Supplied by Contractor/Not Shown)
5. Vacuum Tubing and Fittings
6. Air Discharge Filter
7. Air Discharge Pipe With Mushroom Insect Screen
8. Explosion-Proof Wiring Components (As Required by Code)
9. Explosion-Proof Switch (With Lockout)
10. Explosion-Proof "Pump On" Indicating Light
11. Multiport Vacuum Block
12. Vacuum Gauge
13. Rigid Conduit (Supplied by Contractor)
14. EYS (Supplied by Contractor)
15. Adjustable Vacuum Relief Valve Set At 16-18 Inch HG



When The Veeder Root Calls For Vacuum, The Following Occurs:

1. Veeder Root Communicates to Turbine Relay
2. Turbine Relay Closes Sending Power To Pump
3. Pump Turns On Initiating Vacuum
4. Vacuum Module Receives Vacuum



PETRO SPECIALTIES, INC
 27570 Commerce Center Dr. #228
 Temecula CA 92590
 Phone: (888) 606-8265
 Petrospecialties.com



Part #'s

PV331-USV7F-WHT	PV335-USV7F-SS
PV332-USV15-WHT	PV336-USV15-SS
PV333-USV7F-GRY	
PV334-USV15-GRY	